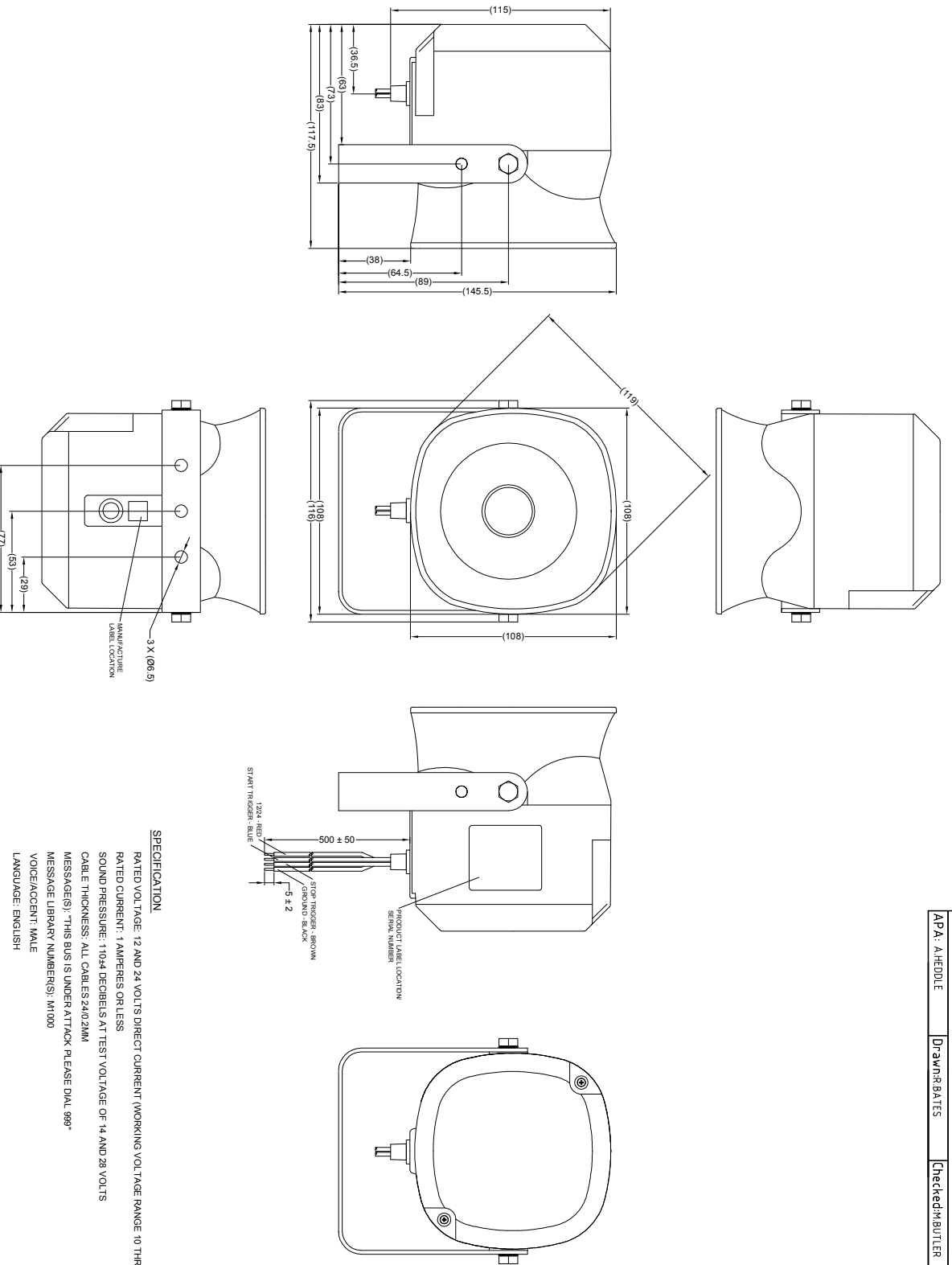


Revision Notes			
R1 - NOTES UPDATED TO INDICATE CORRECT LABEL DETAILS. STANDARDS UPDATED AS PER ECR CR-A253			
APAR AHEDDLE	Drawn/BATES	Checked/MIBUTLER	Approved/GPLITH
			Date: 07/02/14



SPECIFICATION

RATED VOLTAGE: 12 AND 24 VOLTS DIRECT CURRENT (WORKING VOLTAGE RANGE 10 THRU 30 VOLTS)
 RATED CURRENT: 1 AMPERES OR LESS
 SOUND PRESSURE: 110±4 DECIBELS AT TEST VOLTAGE OF 14 AND 28 VOLTS
 CABLE THICKNESS: ALL CABLES 24±0.2MM
 MESSAGE(S): THIS BUS IS UNDER ATTACK PLEASE DIAL 999*
 MESSAGE LIBRARY NUMBERS: M1000
 VOICE/ACCENT: MALE
 LANGUAGE: ENGLISH

- NOTES:**
1. MATERIAL: ABS PLASTIC - ULTRA VIOLET STABILIZED
 2. FINISH: BLACK
 3. FOR PRODUCT LABEL REFER TO LATEST REVISION OF DRAWING BE-002749-XX-13
 4. FOR GIFTBOX LABEL REFER TO LATEST REVISION OF DRAWING BE-002325-XX-13
 5. FOR MANUFACTURE LABEL REFER TO LATEST REVISION OF DRAWING BE-001990-XX-12

PROPRIETARY NOTICE

THIS DESIGN AND TECHNICAL INFORMATION APPEARING ON THIS DRAWING IS THE PROPERTY OF BRIGADE ELECTRONICS, AND IS DISCLOSED IN CONFIDENCE. IT IS NOT TO BE COPIED, REPRODUCED, REVEALED TO OR EXPLOITED BY OTHERS, EITHER IN WHOLE OR IN PART WITHOUT THE EXPRESS WRITTEN CONSENT OF BRIGADE ELECTRONICS.



Angle of Projection	Assembly Pl Approval	Approved by	Checked by	Drawn by
	AHEDDLE - 30/04/13	BJOHN	GPLITH	MIBUTLER
Third Angle	Units	Scale	Released	Assembly Ref
	mm	N/A	07/05/13	BC-AA(BUS)
Status	Part No	Date		
RELEASED	#0064	BE-001484-01-11		

H 1 2 3 4 5 6 7 8 H
 G 1 2 3 4 5 6 7 8 G
 F 1 2 3 4 5 6 7 8 F
 E 1 2 3 4 5 6 7 8 E
 D 1 2 3 4 5 6 7 8 D
 C 1 2 3 4 5 6 7 8 C
 B 1 2 3 4 5 6 7 8 B
 A 1 2 3 4 5 6 7 8 A